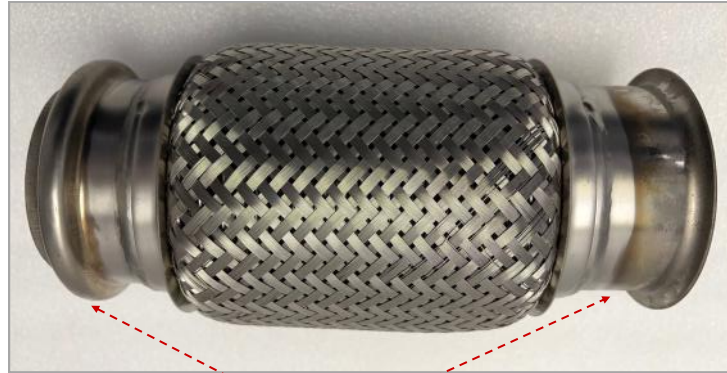


PERFORMANCE SERIES BELLOWS | BEAD BY FLARE END FITTINGS™

Custom Lengths Available!



Volume Pricing Available!

With **Bead by Flare End Fittings**

Duraflex, Inc.'s **Performance Series Bellows | Bead by Flare End Fittings™** assemblies are designed to eliminate exhaust leaks & avoid costly downtime while extending the life cycle of the product.

Assembly Features

- **Standard Fittings** | 20° Flared Flange x Marmon Bead
- **Heat Blankets** | Available upon request
- **Compatibility** | Designed to work with standard V-band Clamps & High Temp Gaskets
- **Easy Removal** | Aids engine maintenance process & reduces risk of damaging bellows
- **Simplicity** | Reference Duraflex, Inc.'s motion charts for plug-in-play guidance
- **Reduced Design Time** | Save money! Pre-designed for use on standard mating tubes & assemblies
- **Damage Prevention** | Corrects misalignments minimizes prestress conditions during installation
- **Standard Warranty** | Refer to Duraflex, Inc.'s Customer Terms & Conditions
- **Failure Analysis** | Available upon request

Visit our **Performance Series** brochure for more information. Scan QR Code to link to document.▶



Performance Series Benefits

BELLOWS DESIGN

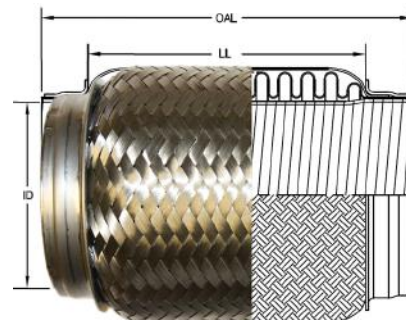
- Hydroformed for Consistency | Predictability
- Designed to Exceed Standard Life Cycles
- Resists Fatigue | Vibration

MULTI-DIRECTIONAL WIRE BRAIDED COVER

- Adds Vibration Resistance
- Increases Thermal Insulation
- Tolerates Multi-directional Movement

SEGMENTED INTERLOCK LINER

- Ultimate Durability | Flexibility
- Eliminates Flow Induced Noise | Vibration



DURAFLEX, INC. ADVANTAGES

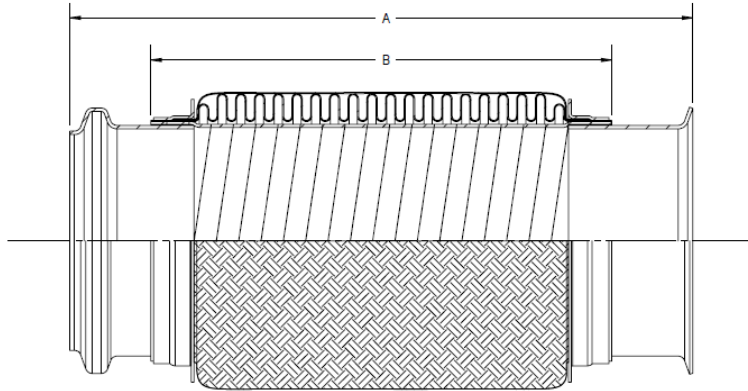


- Standard Products In-stock
- AS9100D | ISO 9001:2015
- Custom Orders Available
- Cost Competitive...always!
- No Minimums

- Professional Appearance
- Short Lead Times
- Engineered Drawings
- American Made
- American Materials



PERFORMANCE SERIES BELLOWS | BEAD BY FLARE END FITTINGS™



Nominal Tube Size ID in.	Assembly Part Number	Lengths in.		Movements in.		Spring Rates #/in.	
		Assy. Overall	Bellows Overall	Axial Comp.	Lateral Offset	Axial	Lateral
3	030PS-BF-07	7.0	4.0	0.40	0.10	95	322
3	030PS-BF-08	8.0	5.0	0.50	0.20	65	112
3	030PS-BF-09	9.0	6.0	0.70	0.25	53	56
3	030PS-BF-10	10.0	7.0	0.90	0.30	49	34
3	030PS-BF-11	11.0	8.0	1.10	0.35	37	19
3	030PS-BF-12	12.0	9.0	1.25	0.42	35	13
3.5	034PS-BF-07	7.0	4.0	0.40	0.10	78	353
3.5	034PS-BF-08	8.0	5.0	0.50	0.20	54	123
3.5	034PS-BF-09	9.0	6.0	0.70	0.25	44	61
3.5	034PS-BF-10	10.0	7.0	0.90	0.30	35	33
3.5	034PS-BF-11	11.0	8.0	1.10	0.35	31	20
3.5	034PS-BF-12	12.0	9.0	1.25	0.42	28	14
4	040PS-BF-07	7.0	4.0	0.35	0.10	194	1085
4	040PS-BF-08	8.0	5.0	0.40	0.15	141	395
4	040PS-BF-09	9.0	6.0	0.50	0.20	111	188
4	040PS-BF-10	10.0	7.0	0.75	0.25	92	105
4	040PS-BF-11	11.0	8.0	1.00	0.30	78	65
4	040PS-BF-12	12.0	9.0	1.10	0.35	68	42
5	050PS-BF-07	7.0	4.0	0.27	0.06	241	2374
5	050PS-BF-08	8.0	5.0	0.40	0.10	159	758
5	050PS-BF-09	9.0	6.0	0.50	0.15	132	371
5	050PS-BF-10	10.0	7.0	0.75	0.25	103	193
5	050PS-BF-11	11.0	8.0	1.00	0.30	157	210
5	050PS-BF-12	12.0	9.0	1.10	0.35	136	135

CONTACT US: 877.462.1007 | WWW.DURAFLEXINC.COM



- Standard Products In-stock
- AS9100D | ISO 9001:2015
- Custom Orders Available
- Cost Competitive...always!
- No Minimums

- Professional Appearance
- Short Lead Times
- Engineered Drawings
- American Made
- American Materials

